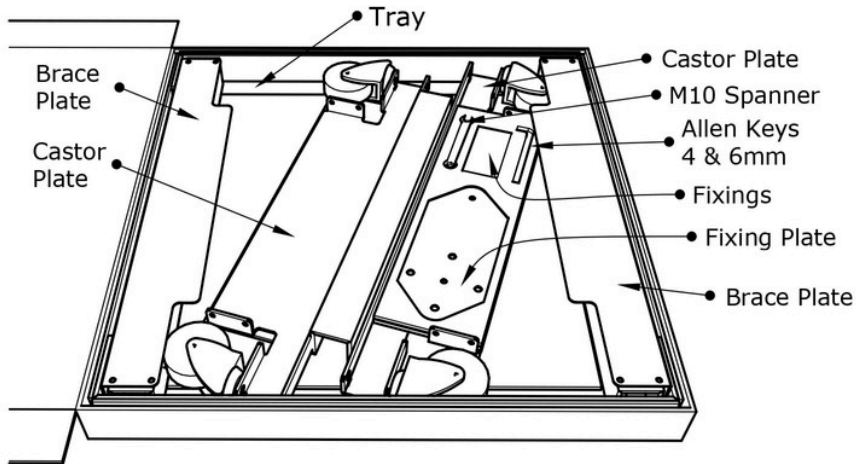


SUNRANGER FLATPACK BASE ASSEMBLY GUIDE

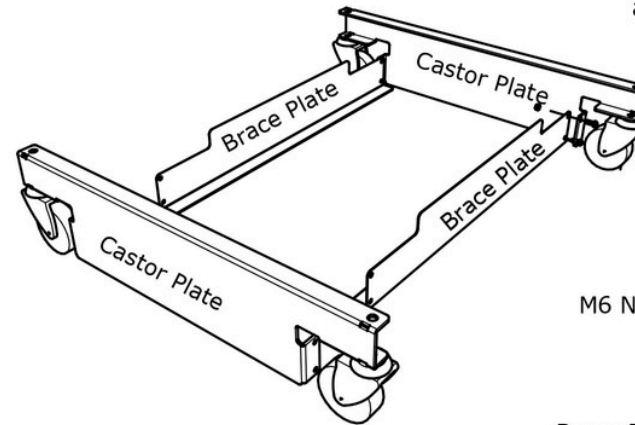
STEP 1 - OPEN YOUR BOX

In the box you will find:

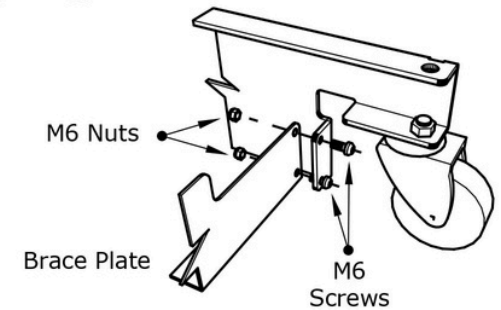


STEP 2 - ASSEMBLE THE CARRIAGE

Position brace plates on inside of fixing lugs and FINGER TIGHTEN all M6 fixings



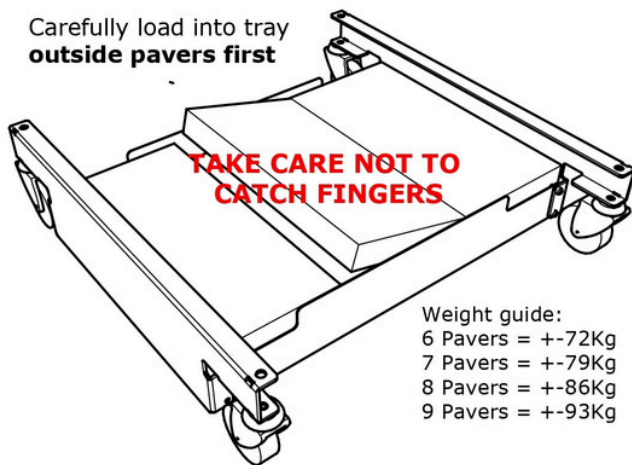
Place on castors and tighten with spanner and 4mm Allen key provided



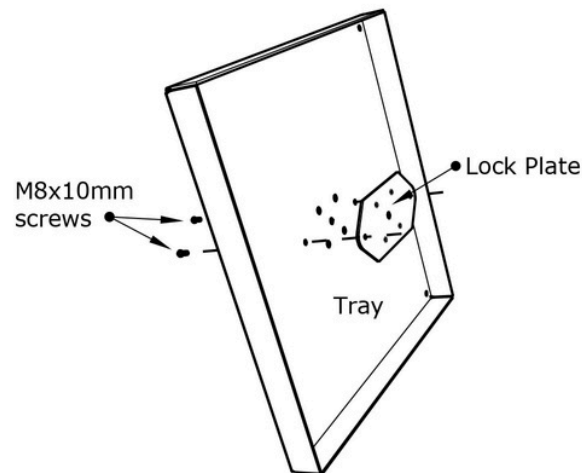
STEP 3 - LOAD THE CARRIAGE

You will need 9 x 400x200x40mm Bunnings Masonry Pavers.

Carefully load into tray outside pavers first



Weight guide:
 6 Pavers = +-72Kg
 7 Pavers = +-79Kg
 8 Pavers = +-86Kg
 9 Pavers = +-93Kg



STEP 4 BOLT ON LOCK PLATE

Bolt Locking Plate onto Tray with 2 x M8x10mm screws using the 6mm Allen Key

STEP 5 - INSTALL THE TRAY

Bolt Locking Plate onto Tray with 4 x M8x16mm screws using the 6mm Allen Key

