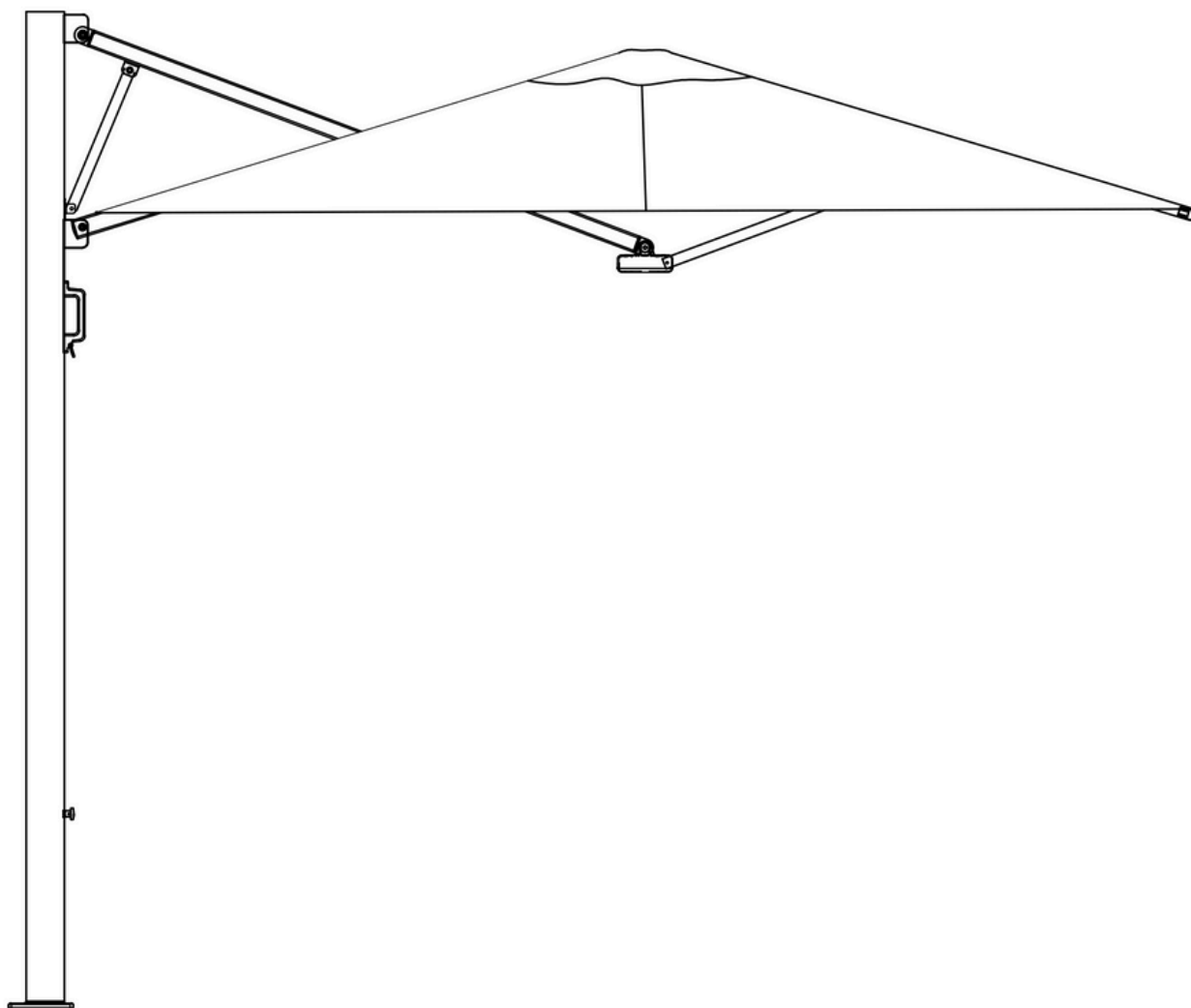


SUNHAVEN BRIBIE INSTRUCTION MANUAL



Contents

<i>Umbrella Components</i>	2	<i>Umbrella Operation</i>	8
<i>Base Installation</i>	3	• <i>Opening</i>	8
• <i>Bolt Down Base Installation</i>	3	• <i>Rotating</i>	8
• <i>Inground Base Installation</i>	5	• <i>Closing</i>	8
• <i>Mobile Base Installation</i>	6		

Components

		1
	M10*20	4
	6#	1

All instructions are of a general nature and may change with various models over time.
If you have any questions whatsoever, please contact us at 1800 155 233
or email us at info@shadeaustralia.com.au

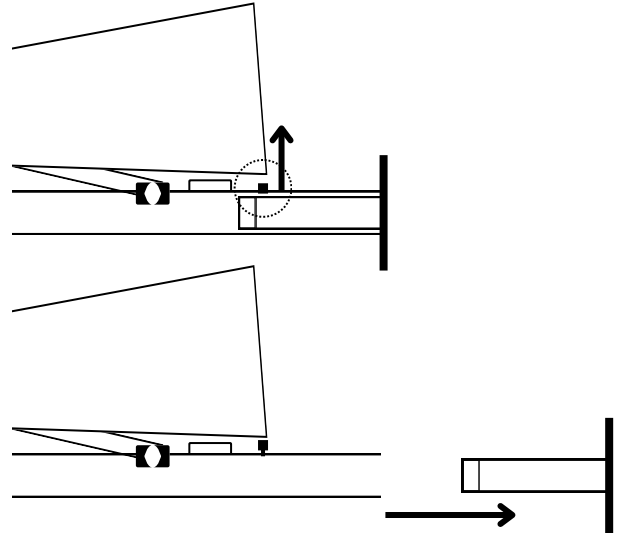
Base Installation

The Sunhaven Bribie stub mast (spigot) can be installed onto a reinforced concrete slab, inground base, or mobile base. Installation instructions for the bases can be found below.

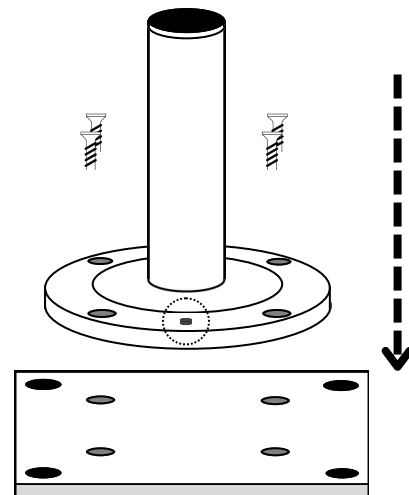
Bolt-Down Base Installation

Included in the umbrella carton package is the bolt-down plate, spigot and the orientation ring. This is what you will need to ensure that you orient the umbrella correctly before installing the base.

- First, pull the spigot out of the umbrella pole. To get it out, pull the bottom button back and the spigot out of the pole (*diagram*).
- Place the umbrella's bolt-down base in the desired location. Once the baseplate's location has been determined, use a masonry drill bit to drill 4 holes. Then, using 4x Hilti M12 anchor bolts, dynabolts or equivalent, secure the base plate to the ground.
- Next, you need to attach the umbrella spigot. Secure the spigot to the base plate using the 4x M10 bolts and Allen key provided (*diagram*).
NB: The knob on the spigot (circled in diagram 2) represents the direction that the umbrella faces, keep this in mind when orienting it.

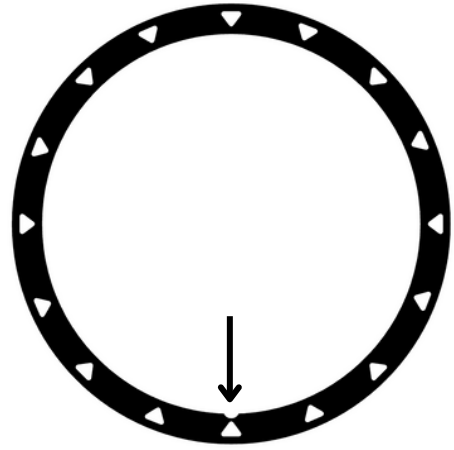


1 - After pulling back the bottom button (shown by the dotted ring), pull out the umbrella's spigot from inside its mast.

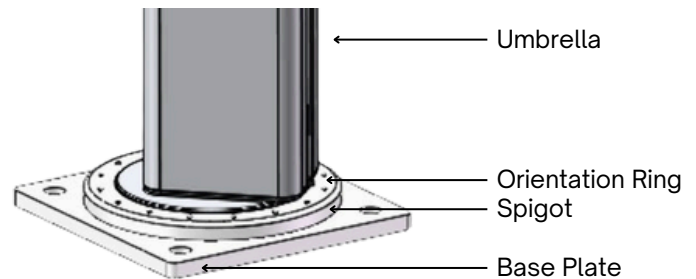


2 - Secure the spigot to the bolted baseplate using the provided M10 bolts.

- Before securing the umbrella, get the orientation ring and position it onto the spigot. It has a small groove which allows it to slot into the base comfortably (*diagram*).
- Once the baseplate and orientation ring have been secured, the umbrella is ready to be stood upright. Do this by having two people lift it over the spigot and sliding it into place. **Be sure to pull back the bottom button when it goes over the spigot, similar to taking it out.** When it is completed, it should look like the diagram shown.



3 - The orientation ring will look like this, notice the groove in the ring (indicated by the arrow), use this to align it with the spigot.

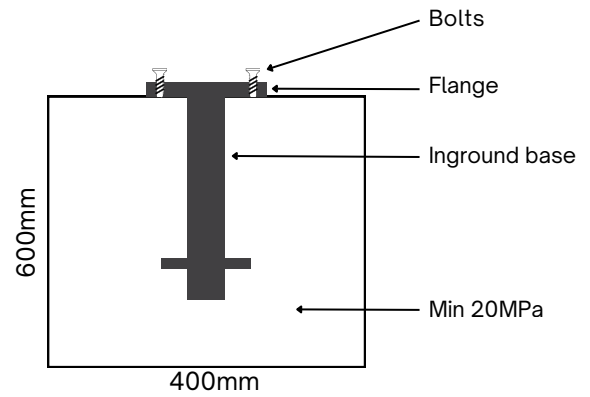


4 - The completed bolt-down base installation should look like this.

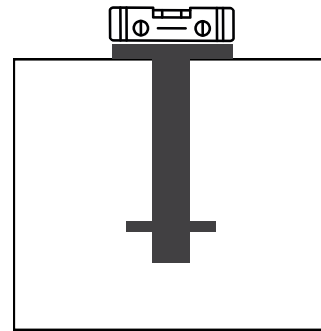
Inground Base Installation

The Sunhaven Bribie can be installed directly into the ground using an inground base. The base must be concreted into the ground, and then the umbrella is bolted directly onto the base. Please read the following instructions for more information on how to do this. To get the spigot out of the umbrella pole, refer to the instructions on p.3.

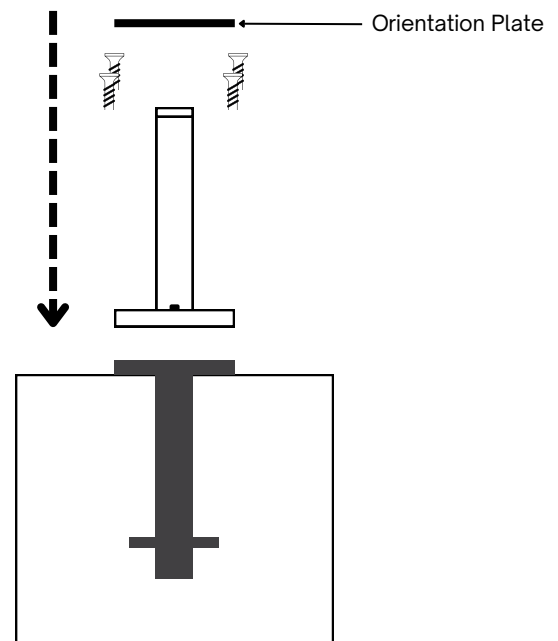
- Dig a hole in the determined location approximately 600mm deep and 400mm wide. If the umbrella is being installed in loose soil or backfill, then the hole will need to be larger.
- Fill the hole with concrete (minimum 20 MPa) mix.
- After this has been done, vertically install the base into wet concrete so that the bottom of the inground flange is flush with the top of the concrete. To ensure that concrete doesn't affect the threading, screw the bolts into the inground base holes whilst doing this (*diagram*).
- Check to make sure that the base is dead level with a spirit level on top of the plate (*diagram*). This is a very important step and must be done before leaving the concrete to set.
- Leave the concrete for approximately 3 hours and then remove the screws from the base. After this, **leave the concrete to set firmly for 1 week** before installing and standing the umbrella.
- Once the inground base is secured into concrete, the internal spigot can be attached. Align it with the inground base and secure it with the provided bolts. Finally, add the orientation ring on top of the bolt down plate. It has a small groove which allows it to slot into the baseplate comfortably (*diagram*).
- Once the baseplate and orientation ring have been secured, the umbrella is ready to be stood upright. Do this by having two people lift it over the spigot and sliding it into place. Be sure to pull back the bottom button when it goes over the spigot, similar to taking it out. Once the bottom button clicks into place, the umbrella is ready to use.



5 - Install the base into a 600 x 400mm hole, with the underside of the flange sitting at ground level.



6 - Use a spirit level to ensure the base is dead level.



7 - Once the inground base has been secured, attach the plate and secure it using the bolts provided. Secure the orientation ring before attaching the Bribie umbrella.

Mobile Base Installation

There are multiple mobile bases that the Bribie umbrella can be attached to, although the installation process is similar for each base. To get the spigot out of the umbrella pole, refer to the instructions on p.3.

- Start by setting up the base for the spigot to be attached to.

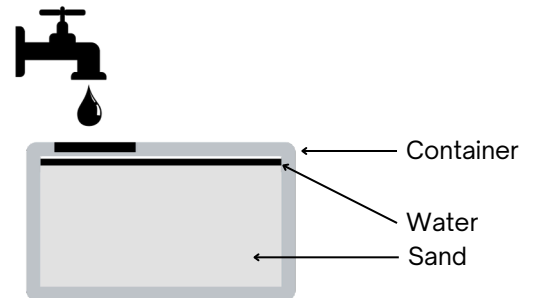
For the Crossbar Frame, unbox and attach the two crossbars before positioning the base in your desired location. Before attaching the base, you will need to weigh the frame down with ballasts, which sit on the corners of the frame.

Sand and Water Base instructions are as follows:

- Lift the resin cover off the base and unscrew the caps from the four containers.
- Fill each container. The best method to do this is by filling each one with sand close to the top, then filling the remainder of the container with water (*diagram*).

NB: Do NOT fill the tubs with just water as it will eventually evaporate and the umbrella will be unbalanced.

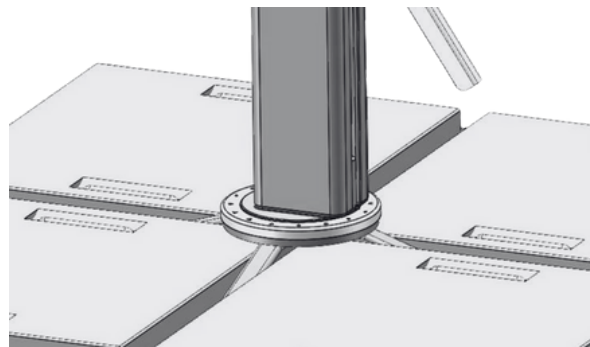
- If you are using castors, secure them to each corner of the base frame before re-fitting each container.
- Re-screw the container lids after the containers have been filled and place them back into the base frame. You will need to attach the spigot to the base before refitting the resin cover.
- Secure the spigot to the base plate using the 4x M10 bolts and Allen key provided.
- Refit the resin cover over the spigot and base frame.



8 - Fill the majority of the container with sand and fill the rest with water.

Block Frame Base instructions are as follows:

- Fit the feet or castors onto the bottom of the block frame by screwing the castors into the predrilled holes in the corners of the frame.
- Next, add the pavers to the base. Pavers can be purchased from any general garden or hardware supply store and should have approximate measurements of 400x400x40mm. The base should comfortably fit at least 8 of these pavers and will need to weigh over 120 kg.
- Secure the spigot to the base plate using the 4x M10 bolts and Allen key provided.
- Next, get the orientation ring and slide it onto the spigot.
- The umbrella is ready to be stood upright. Do this by lifting it over the spigot with two people. Be sure to pull back the bottom button when it goes over the spigot, similar to taking it out. Once the bottom button clicks into place, the umbrella is ready to use.



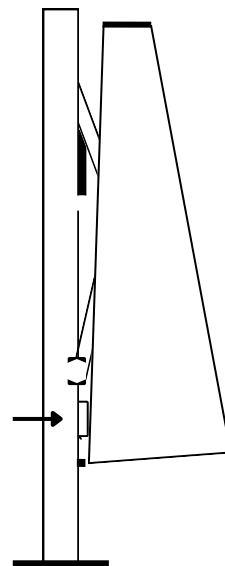
9 - A completed base installation will look like this, this visual is the for the block frame base.

Umbrella Operation

Opening the Bribie

- Opening the umbrella is extremely simple due to the Bribie's gas lift feature. **It is extremely important that you ensure all packaging around the umbrella arms/frame has been removed before opening.** After untying the straps that keep the Bribie closed, grab the handle attached to the mast and lift it up (*diagram*). The gas lift arm will take the weight and open the umbrella until it clips into place.

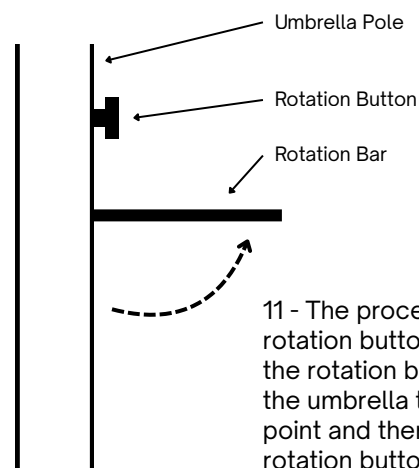
You'll know it has clipped into place because the small locking button under the handle will pop out.



10 - Grab the handle indicated by the arrow and simply push the umbrella up to open.

Rotating the Bribie

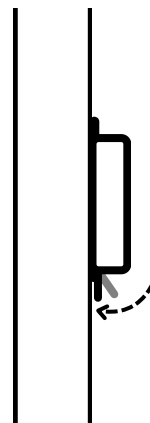
- The Sunhaven Bribie can be rotated a full 360° using the rotation bar. It sits at the bottom of the umbrella mast. Lift the bar to a 90° angle (*diagram*) and unlock the umbrella by pulling and twisting the button above it. Once it is pulled out, use it to orient the umbrella to the desired location before securing it back into the pole.



11 - The process of locating the rotation button. Once you locate the rotation bar, use it to rotate the umbrella to your desired point and then relock the rotation button.

Closing the Bribie

- Before closing the Sunhaven Bribie, unlock it from its open position by pushing in the lock button below the umbrella's handle (*diagram*).
- Once the umbrella has been unlocked, simply pull the umbrella back down to the closed position. Do not force the umbrella down; it will come down at a natural pace with light pressure.
- Once the umbrella is closed, furl the fabric closed and strap it together using the attached umbrella straps. Once the umbrella has been strapped closed, a protection cover can be fitted to keep the umbrella clean and dry when not in use.
- If removing the umbrella from its base, ensure that it is protected by a protection cover and aim to store it upright or horizontally in a cool, dry place.



12 - Push in the umbrella handle's locking button before closing the umbrella.