

Accurate measurements are essential when ordering a shade sail to ensure a perfect fit. Incorrect measurements may result in the need for remeasuring, which can be both time-consuming and tedious. This brief document will give you some tips on how to make the measuring process simple.



What's Needed

All that is needed to make accurate shade sail measurements is a **'Frontier Shade Sail' measurement sheet** (provided by Shade Australia) and a tape measure. **Use a fibreglass, plastic or metal tape for an accurate result.** Do not use nylon or fabric tapes as they will sag over long distances and give an inaccurate result.

For 4+ point sails, ensure that the tape measure being used will be long enough to span the full length of the diagonal measurement. Measuring a shade sail works best with **two people**, so get somebody else to help with this process.



Attachment Points

The points of attachment must be installed **before measuring**. This means the poles with the eyebolts must be installed, or the wall brackets must be fitted. If you just measure to an approximate point on a wall, you will end up with inaccurate measurements.

When we enter your measurements into our computer, the measurements need to be accurate within 0.05%, so measure carefully.

Measurements should be in millimetres (e.g. 6 metres and 21 centimetres = 6210mm).



Measuring Guide

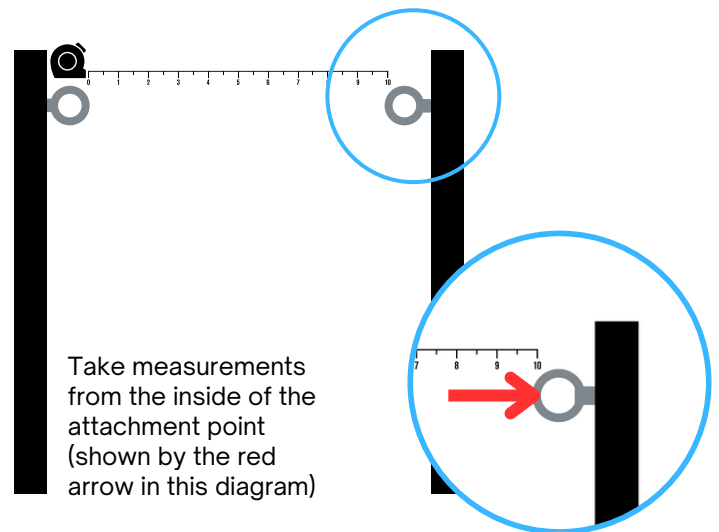
Start by designating one of the attachment points as 'Point A'. Work around in a clockwise direction, allocating the remaining points as points B, C, D, and so on. For a simple 4-point rectangular shade sail, you simply need to take the point-to-point measurements between each attachment point. Once this is done, you will need to measure the diagonals.

NOTE: Don't make any allowances for turnbuckles or a chain; we will do this. Your job is to measure point-to-point.

One person holds the end of the tape measure against the inside edge of the eyebolt. The other person pulls the tape taut and measures to the inside edge of the opposite eyebolt. Record the measurement on the measuring sheet. Repeat until all measurements are recorded.

To find the measuring sheet, go to the 'Custom Sized Shadesails' page on our website and access the 'Brochures' tab OR give us a call, and we can email it to you.

Next, you will need to indicate the post heights (measured to the eyebolt). This is because a shadesail is made as a 3-dimensional form. As the heights vary, the fabric needs to vary too. A shadesail is not like a flat piece of fabric, it must be shaped and that is why it is important to specify the heights. See the following page for height specification information.



Take measurements from the inside of the attachment point (shown by the red arrow in this diagram)

GET IN TOUCH

info@shadeaustralia.com.au
1800 155 233

91-93 Stanley Road
Ingleburn, NSW 2565



NEED A HAND?

Scan this QR code to watch a visual operation guide for the measuring a Shade Sail.



SHADE AUSTRALIA IS A FAMILY RUN BUSINESS - 100% AUSSIE OWNED AND OPERATED!



Recording Attachment Point Heights

The easiest way to record heights is to find the lowest fixing point. We will call this the **Datum Point**. Mark the datum point as '0' (zero) on the measurement sheet.

From here, measure how much higher each of the other points are above this one. For instance, if the datum point is point A, then point B might be '+ 410mm'.



What Next?

When every measurement has been completed, scan and email the measuring sheet back to us.

We will then draw up the shade sail in our computer program and send you the technical diagram for you to review and sign before we make the sail.

If you have any questions about this process, please get in touch with us. We are happy to help.

GET IN TOUCH

info@shadeaustralia.com.au
1800 155 233

91-93 Stanley Road
Ingleburn, NSW 2565

SHADE AUSTRALIA IS A FAMILY RUN BUSINESS - 100% AUSSIE OWNED AND OPERATED!



NEED A HAND?

Scan this QR code to watch a visual operation guide for the measuring a Shade Sail.