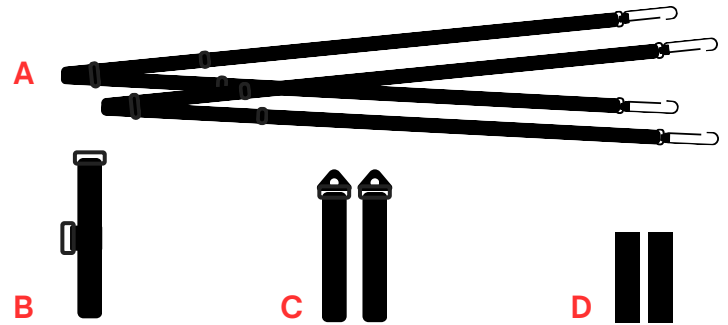


Stabiliser Strap Kit

The Stabiliser Strap kit comes with the following components:

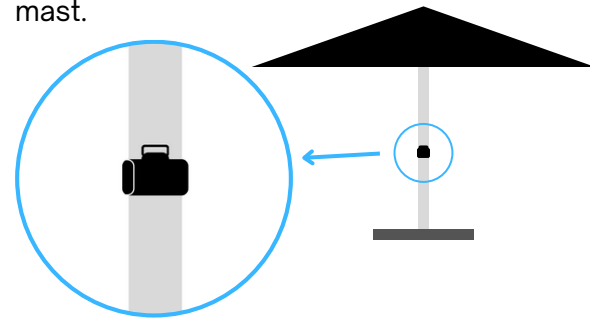
- A** 2x Stabiliser Straps
- B** 1x Central Mast Velcro Cinch Strap
- C** 2x Umbrella Arm Velcro Cinch Straps
- D** 2x Strips of Velcro



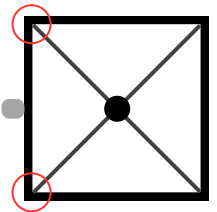
Stabiliser Strap Assembly and Operation

- 1** Start by attaching the central mast cinch strap to the umbrella. The Central mast strap should be located about halfway up the umbrella's mast, with the plastic adhesive layer going against the pole. Ensure that the 'O' ring in the middle of the strap is facing upwards (1).
- 2** Position the two velcro strips around the back two corners of the umbrella at the end of the arms (2). This is important as it will ensure that the arm end cinch straps do not slide up the umbrella arms when the straps are pulled taut.
- 3** Attach the two umbrella arm cinch straps to the back two corners of the umbrella over the velcro strips at the ends of the arms. The triangular piece at the end of the strap should be positioned to face the central pole so that it is easy to clip on the straps (3).
- 4** Using the buckle, the loosen stabiliser straps and hook them onto the central mast clip and the arm end clips attached in earlier steps (3). Once they have been attached, use the buckle to pull the straps taut, putting them in a 'V' formation. The straps have now been attached.
- 5** **Before closing the umbrella**, unhook the straps and take off the central pole cinch strap. Simply follow steps 1 and 4 to reattach once the umbrella is opened again.

1) Position the central cinch strap like so, about halfway up the umbrella's mast.



2) Attach the velcro strips and umbrella arm cinch straps to the back two corner arms of the umbrella (shown by the red circles).



3) Back view of the Cantilever. Attach the velcro strip to the end of the corner arm before adding the arm end cinch strap and hooking the stabiliser strap.

