



SAVANNAH

PRODUCT SPECIFICATIONS

A PREMIUM READY MADE
CANTILEVER STYLE UMBRELLA
WITH ALL THE PRACTICAL
FEATURES YOU COULD EVER
NEED AND AT AN **AFFORDABLE**
PRICE.

FEATURES

- 360 Rotation
- Easy to operate tilt feature
- Aluminum frame
- Premium O'Bravia canvas
- Variety of sizes, shapes & colours
- Installation options to suit you

FOR FURTHER INFORMATION CONTACT US



Shade Australia Pty Ltd

A: 17 Norwich Road Ingleburn NSW
2565

E: info@shadeaustralia.com.au

P: 1800 155 233 or 02 9605 5560



SAVANNAH

SHADE AUSTRALIA FAVOURITE
HIGHLY RECOMMENDED



The Savannah umbrella rotates 360 degrees and locks into place with an easy to operate foot-pedal. The entire canopy tilts with a strong and easy to use mechanism. When the umbrella is folded down the entire canopy retracts back against the main post making storage a breeze.

FABRIC

High quality O'Bravia Canvas. Highly water resistant. UPF 50+

FRAME

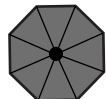
A strong oval shaped aluminum frame with joints made from quality aluminum castings.

WARRANTY

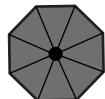
1 Year manufactures warranty on the frame & a 3 Year fade resistant warranty on the fabric

INSTALLATION OPTIONS

Choose between permanent or mobile base options - bolt-down baseplate, ballast block frame or the **optional resin base**.



OCTAGONAL
3.5 m



OCTAGONAL
3.8 m

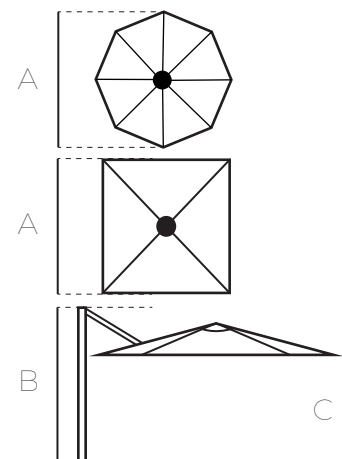


SQUARE
3.3 m



RECTANGLE
3.0 x 4.0 m

Area (m ²)	9.2 m ²	11 m ²	10.9 m ²	12 m ²
Mast	Oval 95 x 65 mm			
Frame	Graphite Powder Coated			
Opening	Winder System			
Tilt	Variable to 25°			
Dimensions A	3.5 m	3.8 m	3.3 m	3.0 m x 4.0 m
B	2.64 m	2.74 m	2.74 m	2.78 m
C	2.04 m*	2.04 m*	2.04 m*	2.04 m*



* Plus 20 cm with Resin Base

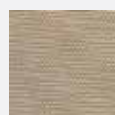
CANOPY COLOURS



Black



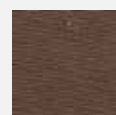
Eggshell



Natural



Platinum



Mocha



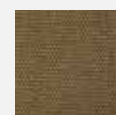
Charcoal Ridge



Cobalt



Jockey Red



Sand