



ASTA

PRODUCT SPECIFICATIONS

A HIGH QUALITY CANTILEVER UMBRELLA THAT IS NOT ONLY EASY TO USE BUT WILL CREATE A **SENSE OF SOPHISTICATION** TO YOUR BACKYARD FOR MANY YEARS TO COME

FEATURES

- Infinite Tilt Positions – horizontal to 70°
- 360° umbrella rotation
- Detachable crank lever
- Premium Sunbrella canvas
- Available in 4 colours and 2 sizes
- Wind rated to 60km/h*

FOR FURTHER INFORMATION CONTACT US



Shade Australia Pty Ltd

A: 17 Norwich Road Ingleburn NSW 2565

E: info@shadeaustralia.com.au

P: 1800 155 233 or 02 9605 5560

W: shadeaustralia.com.au



ASTA

PRODUCT SPECIFICATIONS



Shelta has really been clever in designing this brilliant new upmarket cantilever umbrella. It is beautifully crafted umbrella with an easy to use opening and closing mechanism and an almost automatic gliding tilt system. With infinite tilt positions and a 360° umbrella rotation to follow the sun all hours of the day.

FABRIC

Premium quality Sunbrella Fabric. Highly water resistant. 5 yr fade resistant warranty UPF 50+

FRAME

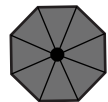
Powder coated Aluminium frame engineered to achieve 60kph wind rating.*

WARRANTY

2 year manufactures warranty on the frame.

INSTALLATION OPTIONS

Choose between on concrete bolt down base or the optional inground base. Due to its heavy construction the Asta is not suitable for a movable base option.

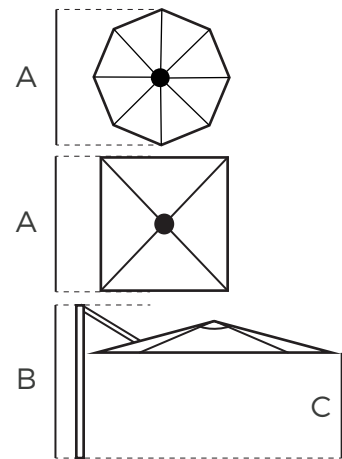


OCTAGONAL
4.0m

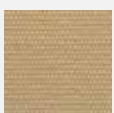


SQUARE
3.5m

| | | | |
|------------------------|--|---------------------|--------|
| Area (m ²) | 12.2 m ² | 12.25m ² | |
| Mast | Oval 120 x 76 mm | | |
| Frame | Shadow Silver / Anthracite Powder coated | | |
| Opening | Detachable crank lever | | |
| Tilt | Horizontal to 70° | | |
| Dimensions | A | 4.05 m | 3.5 m |
| | B | 2.8 m | 2.8 m |
| | C | 2.09 m | 2.07 m |



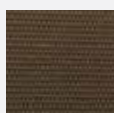
CANOPY COLOURS



Natural



Beacon Ash



Taupe



Canvas Coal

*Wind ratings have tested under university controlled conditions. We recommend closing this umbrella in windy conditions. Wind damage is not covered by warranty.